

The BAZER CC1000 Cone Crushers are design with speed bronze bushing. The rugged, reliable, familiar design of BAZER CC1000 Cones incorporates modern user friendly features such as hydraulic tramp relief and fully hydraulic crusher adjustment.



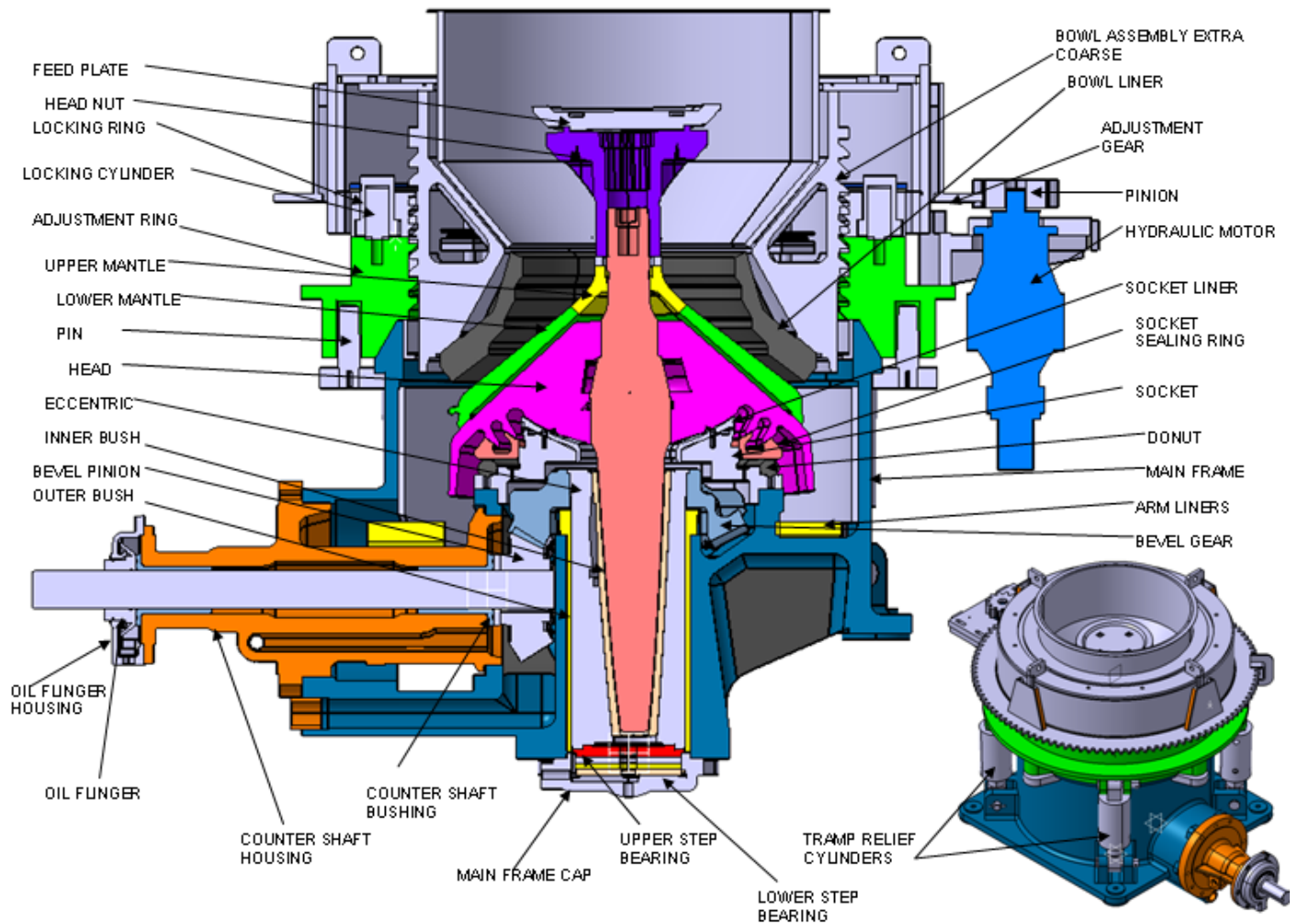
Standard Features

- Heavy -duty mainframe specially designed for tough mining and quarrying applications.
- Discharge area is tapered to reduce wear.
- Head-shaft supported over a large area for greater stability.
- Socket sealing system with **rubber donut** for total sealing against dust.
- Setting changes made quickly by external means.
- Spring-loaded tramp iron relief system allows any uncrushable material to pass through the crusher .
- The lubrication unit is interlocked with the main motor for additional safety.



Large support area for the Head-Shaft enhances stability during operation

Cone Crusher BAZER CC1000



Technical Specification

Model	BAZER CC1000
Chambers Available	F, C, EC
Capacity	110 - 190 TPH
Feed Size (Maximum)	150 mm
Recommended motor power	90 KW
RPM (Full load)	580
Recommended Closed side setting	10 mm - 40 mm
Weight	11700 Kg.

Note : The gradation and capacities, shown above, are indicative for material having bulk density of 1.6 Tons / Cum and shall vary in accordance with the type and gradation of feed material and operating conditions of the equipment and system.

The above information does not constitute an expressed or implied warranty or guarantee.

* Designs are subject to modifications and changes at the sole discretion of the manufacturer without any prior notice.



BHP INFRASTRUCTURE (P) LTD.

Plot No.-7, Sector-4, Faridabad, Haryana-121004 India
 Tel: +91(0129) 4282500, 4282501 Fax: +91(0129) 4063042
 www.bazerworld.com Email: bhpcorp@bazerworld.com