

The **BAZER Series Cone Crushers** are designed for robust performance with high reliability and ease of operation.

The **BAZER CC 1200** Cone Crusher is based on well tried and tested cone crusher concepts. It is ideally suited for use as the secondary crusher in a wide variety of crushing & screening plants.



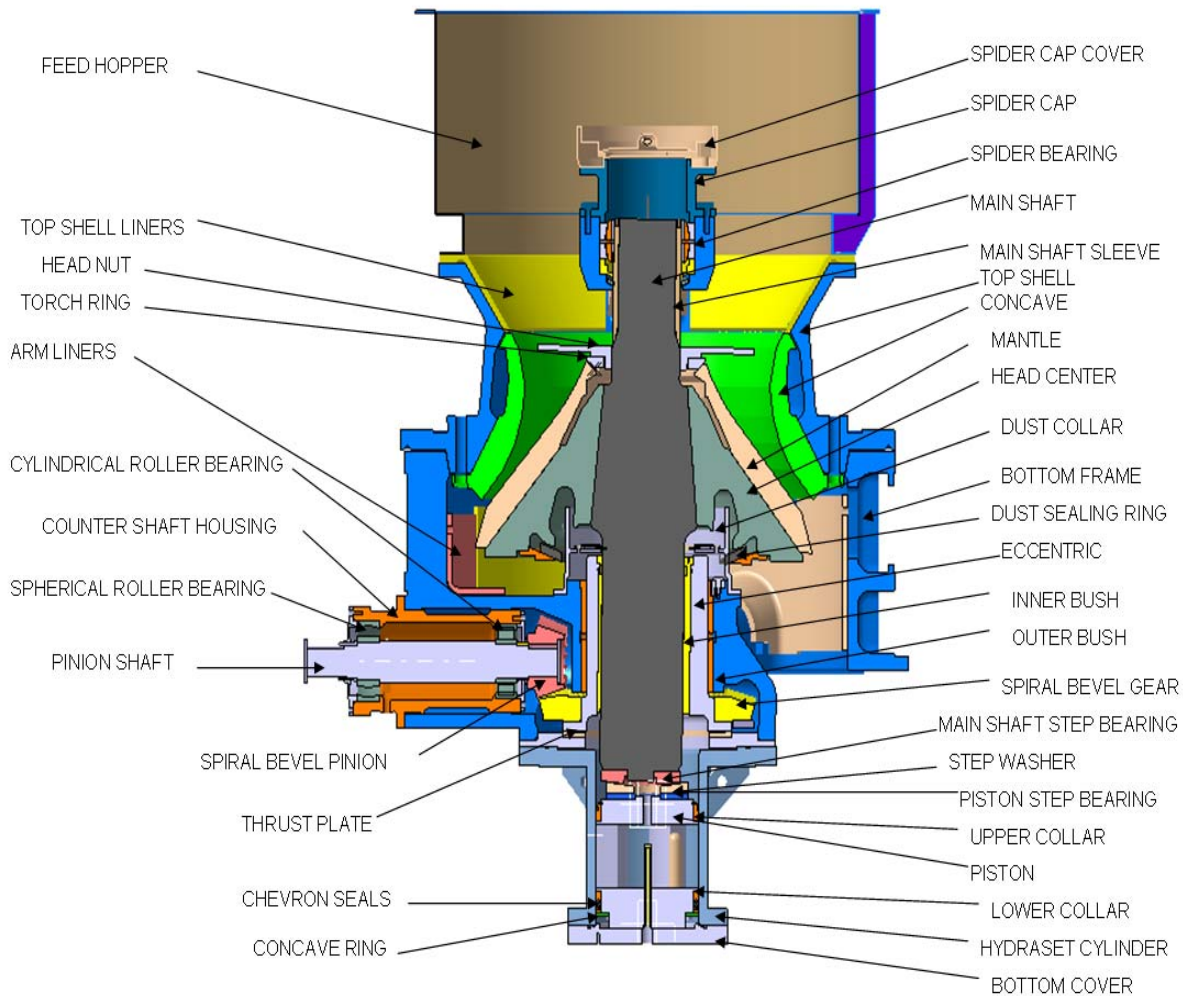
## Technical Specification

Model	BAZER CC1200
Chambers Available	EC, C, M, F
Feed Size (Maximum)	250, 190, 135, 110 mm
Capacity	150 – 310 TPH
Recommended motor power	160 KW
Recommended closed side setting	10 - 40 mm
Weight	17000 Kg.
Overall Dimension (L x Dia. x H in mm)	2315 x 2200 x 3200

# Cone Crusher BAZER CC1200

## Standard Features

- ▣ All the surfaces in contact with feed material have **Wear Liners**.
- ▣ **Tramp Iron** is released by lowering of the main shaft automatically with hydraulic system.
- ▣ Push Button system for **adjusting discharge settings** hydraulically.
- ▣ **Easy replacement** of crushing plates.
- ▣ **Pressure indicator** for optimum usage, and for preventing under-loading and over-loading.
- ▣ **Bevel** gears provide efficient transmission between pinion and eccentric gear.
- ▣ **Main shaft** has upper and lower support areas. Therefore feed size up to 250 mm can be crushed without any cantilever loads being applied to the main body.



*Note:* The gradation and capacities, shown above, are indicative for material having bulk density of 1.6 Tons / Cum and shall vary in accordance with the type and gradation of feed material and operating conditions of the equipment and system.

*The above information does not constitute an expressed or implied warranty or guarantee.*



**BHP INFRASTRUCTURE (P) LTD.**

Plot No.-7, Sector-4, Faridabad, Haryana-121004 India  
Tel: +91(0129) 4282500, 4282501 Fax: +91(0129) 4063042  
www.bazerworld.com Email: bhpcorp@bazerworld.com