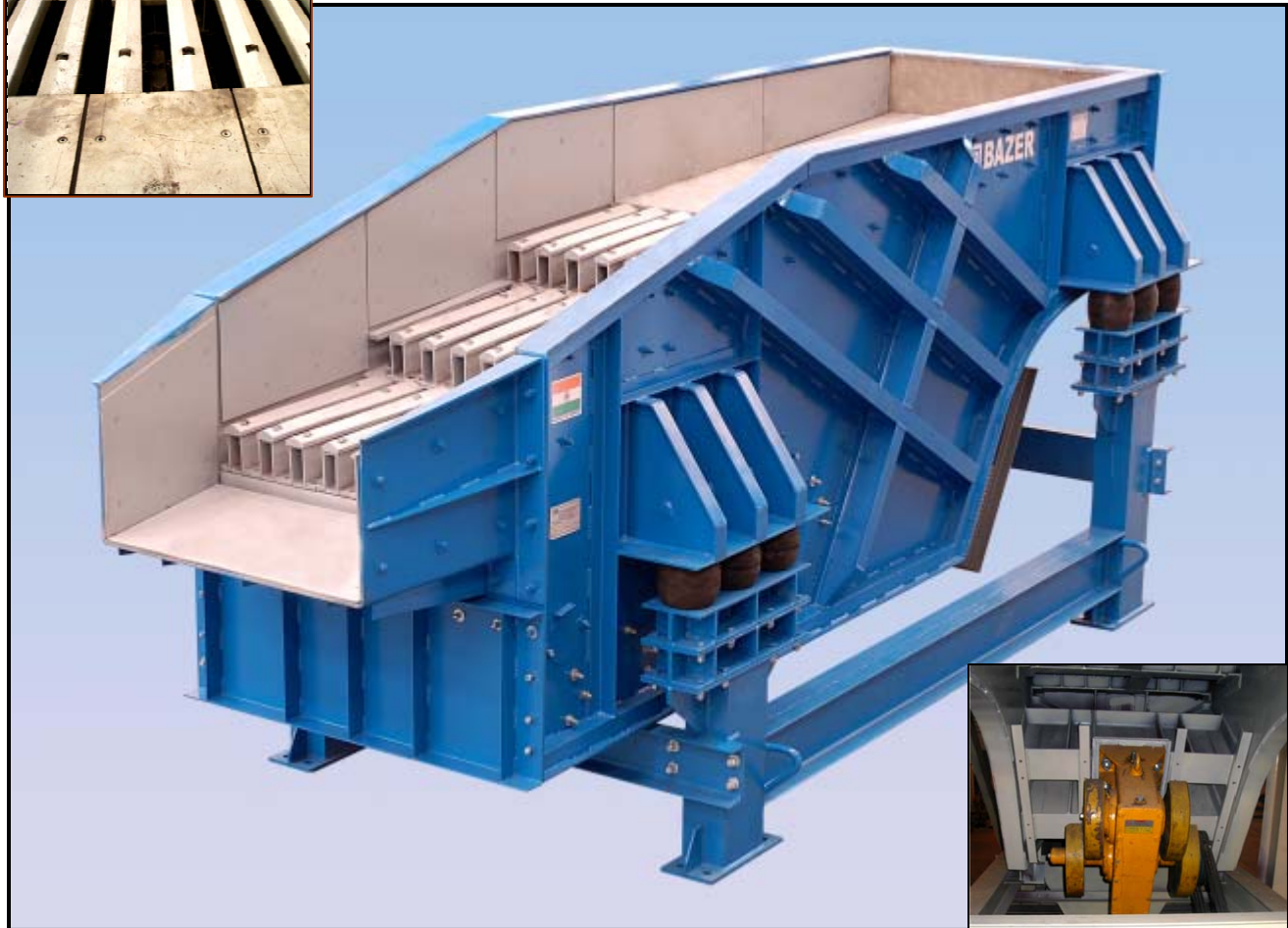


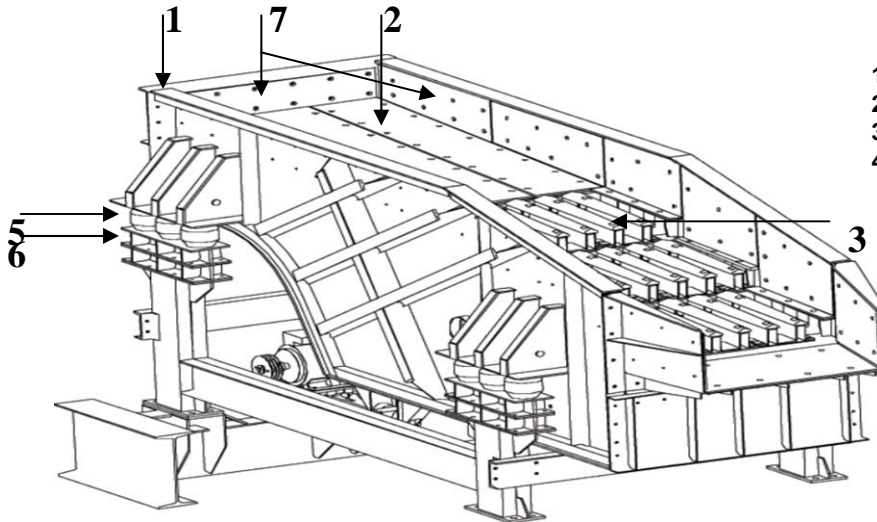
BHP is proud to introduce the **BAZER Range** of Grizzly Feeders, suitable for the most stringent Aggregate and Iron Ore applications.



## Standard features

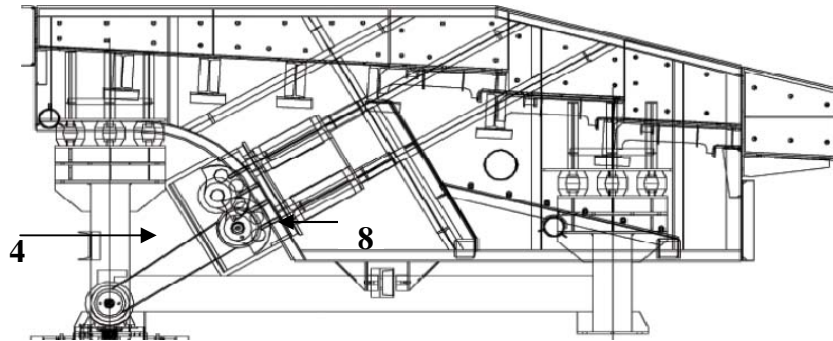
- All wear parts built in abrasion resistant steel
- High tensile strength side walls for durability
- Replaceable Manganese Steel grizzly bars
- Stroke adjustability by adding / removing weights
- Heavy duty, self-aligning, spherical, double row roller bearing and oil lubrication provides longer life
- All rotary parts with safety guards
- Stress relieved Body of Grizzly
- Option of Variable Voltage and Frequency Drive

# BAZER Range of Grizzly Feeders



- 1. Vibrating body
- 2. Extraction plate
- 3. Replaceable Grizzly Bars
- 4. Mechanical vibrator MU

- 5. Spring mounts
- 6. Mounting counter plates
- 7. Anti – wear domes
- 8. Mounting bolts for Mechanical vibrator MU



Model	Size (Meters)	Motor (KW)
BAZER GF1035	1.0 x 3.5	7.5
BAZER GF1245	1.2 x 4.5	11
BAZER GF1360	1.3 x 6.0	22

❖ Capacity depends on the material type, gradation, separation size, density, moisture content and the operating parameters.

\* Designs are subject to modifications and changes at the sole discretion of the manufacturer without any prior notice.



**BHP INFRASTRUCTURE (P) LTD.**

Plot No.-7, Sector-4, Faridabad, Haryana-121004 India  
 Tel: +91(0129) 4282500, 4282501 Fax: +91(0129) 4063042  
 www.bazerworld.com Email: bhpcorp@bazerworld.com